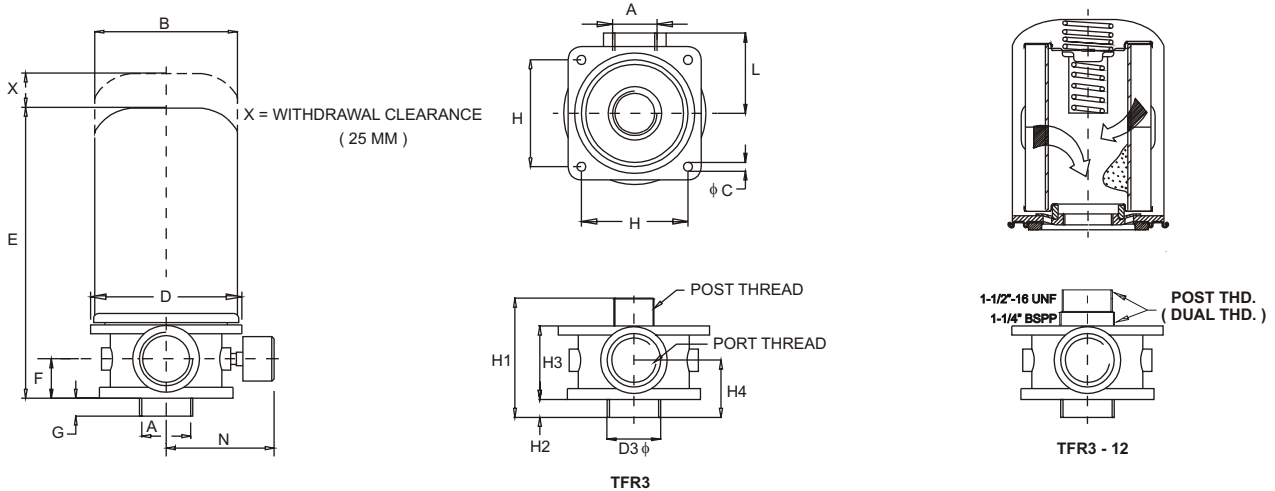


# FILTER-TANK TOP SPIN ON - TFR3



- DISPOSABLE SPIN ON ELEMENT
- DIE CAST ALUMINIUM HEAD
- ELEMENT WITH BY PASS VALVE ( 1 BAR STANDARD )
- 5 SIZES - FLOWS TO 200 LPM
- MAX. PRESSURE 10 BAR / TEST 15 BAR / BURST 20 BAR
- MAX. TEMP. 80 ° C.
- ANTI DRAIN FLAP TO MINIMISE SPILLAGE WHILE CHANGING ELEMENT
- FOR USE WITH MINERAL / PETROLEUM BASED OILS



## ASSEMBLY

MODEL CODE	A BSPP	B	C	D	E	F	G	H	L	N	WT KGS
TFR3 - 06	3/4"	96	7	75	196	25	18	70	55	72	1.3
TFR3 - 12	1-1/2"	129	9	135	252	36	22	100	72	90	2.3

## HEAD

MODEL CODE	PORT THREAD	POST THREAD	D3	H1	H2	H3	H4	WT KGS
TFR3.06 B.B	3/4" BSPP	3/4" BSPP	35	80	18	53	43	0.5
TFR3.12 B	1-1/2" BSPP	DUAL THREAD	60	127	22	73	58	1.0

# FILTER-TANK TOP SPIN ON - TFR3



## MODEL CODE : ASSEMBLY

TFR3	- 06*	- 20	- 10	B	
SERIES	PORT CONNECTION	SIZE ELEMENT	FILTRATION μ MICRONS	POST THREAD	
	<b>06 B</b> - 3/4" BSPP	<b>10</b> - 35 LPM	<b>P10</b> - 10 μ NOM	<b>B</b> - 3/4" BSPP	
	<b>06 N</b> - 3/4" NPT	<b>20</b> - 70 LPM			
	<b>12 S</b> - 1-1/16" UNF - 12	<b>30</b> - 100 LPM			<b>P25</b> - 25 μ NOM
	<b>12 B</b> - 1-1/2" BSPP	<b>50</b> - 150 LPM	<b>A10</b> - 10 μ ABS		
	<b>12 N</b> - 1-1/2" NPT			<b>B</b> - 1- 1/4 BSPP	
	<b>24 S</b> - 1- 7/8" UNF - 12	<b>65</b> - 200 LPM	<b>A25</b> - 25 μ ABS		

**INDICATOR** : OPTIONAL ( TO BE ORDERED SEPERATELY ) CONSULT FACTORY FOR OPTIONAL INDICATOR PORT LOCATIONS

**GR** - VISUAL RETURN      **ER** - ELEC. RETURN

**GS** - VISUAL SUCTION      **ES** - ELEC. SUCTION

**Element** : P10 / P25 Was 010 / 025

## MODEL CODE : HEAD CASTING

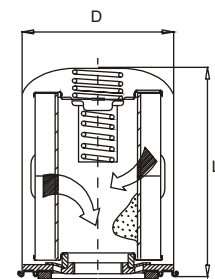
TFR3	- 06*	B	
SERIES	PORT CONNECTION	POST THREAD	
	<b>06 B</b> - 3/4" BSPP	<b>B</b> - 3/4" BSPP	
	<b>06 N</b> - 3/4" NPT		
	<b>12 S</b> - 1-1/16" UNF - 12		<b>U</b> - 1" -12 UNF
	<b>12 B</b> - 1-1/2" BSPP	DUAL THREAD ( STD )	
	<b>12 N</b> - 1-1/2" NPT		
	<b>24 S</b> - 1- 7/8" UNF - 12		

## MODEL CODE : ELEMENT

S/E T	- 20	- 10	B
SERIES	SIZE ELEMENT	FILTRATION μ MICRONS	POST THREAD
<b>S/E T</b>	<b>10</b> - 35 LPM	<b>P10</b> - 10 μ NOM	<b>B</b> - 3/4" BSPP
	<b>20</b> - 70 LPM		
	<b>30</b> - 100 LPM		
<b>50</b> - 150 LPM	<b>A10</b> - 10 μ ABS		
<b>TFE</b>		<b>A25</b> - 25 μ ABS	<b>B</b> - 1- 1/4 BSPP
<b>65</b> - 200 LPM			

## ELEMENT DETAILS

CARTRIDGE	D	L	FILTRATION AREA CM <sup>2</sup>		WT KGS
			P10/ P25	A10/ A25	
<b>S/E T - 10 - ** - *</b>	93	100	1500	1200	0.4
<b>S/E T - 20 - ** - *</b>	93	146	2300	1840	0.6
<b>S/E T - 30 - ** - *</b>	93	212	4200	3300	0.8
<b>TFE - 50 - ** - B</b>	129	180	5600	3900	1.2
<b>TFE - 65 - ** - B</b>	129	227	7850	4800	1.4



WITH BYPASS 15 PSI

DIMENSIONS IN MM FOR REFERENCE ONLY